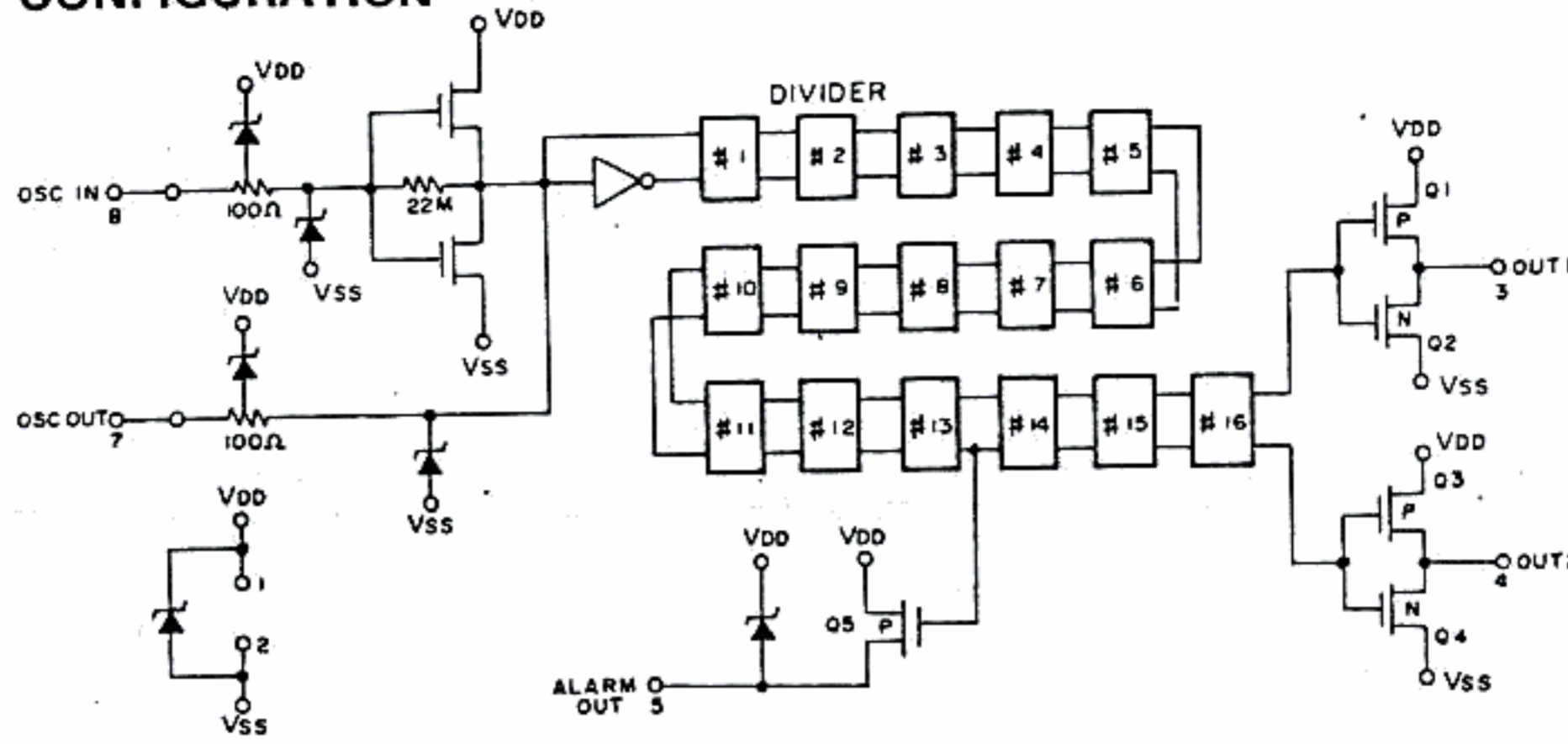
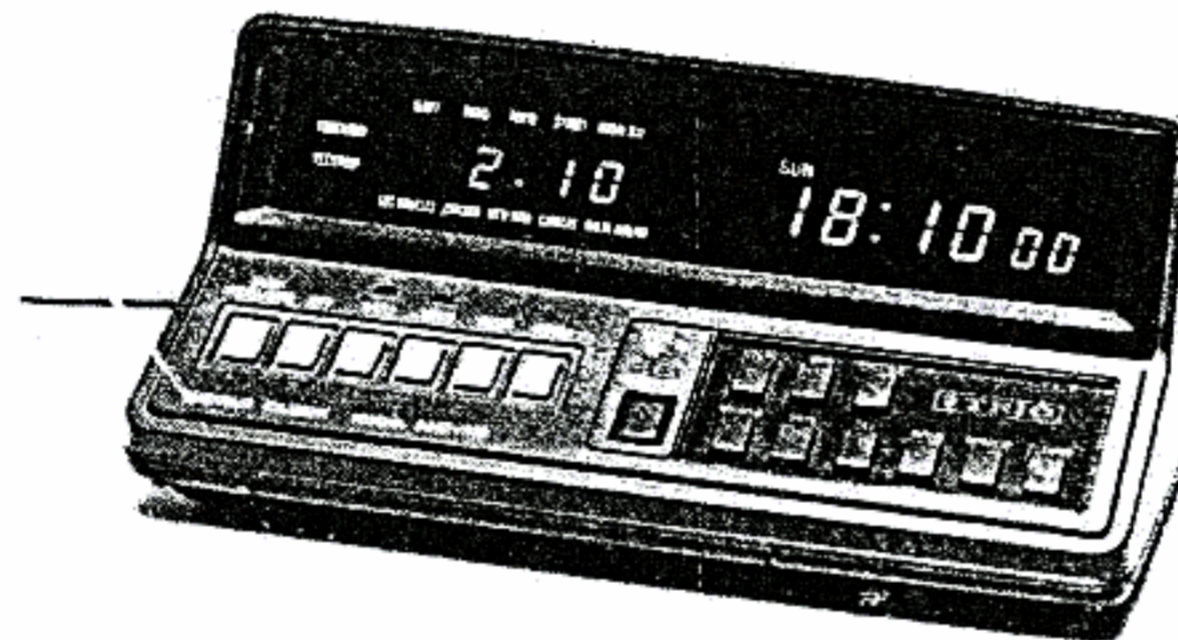
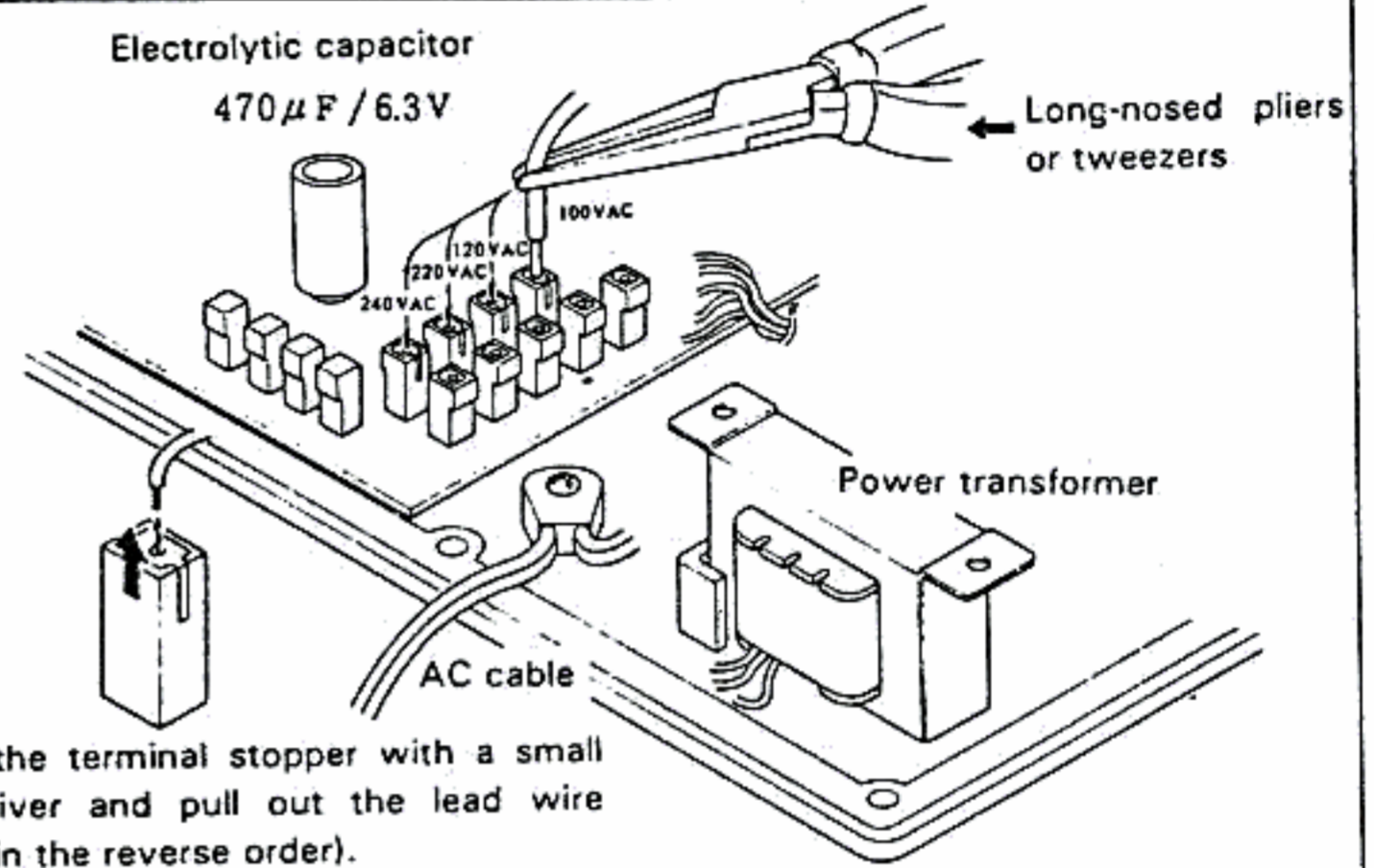


SM5501 CIRCUIT CONFIGURATION



• CHANGING THE POWER VOLTAGE

The HC-10 can be used with any power supply. Change the power supply voltage as shown in the figure on the right. As the HC-10 is not equipped with a fuse, pull out the AC cable before switching the power voltage.



SCHEMATHEEK
Beh. T. Hultermans
Postbus 4228
5604 EE Eindhoven

SPECIFICATIONS

Voltage Requirements ... 100V AC

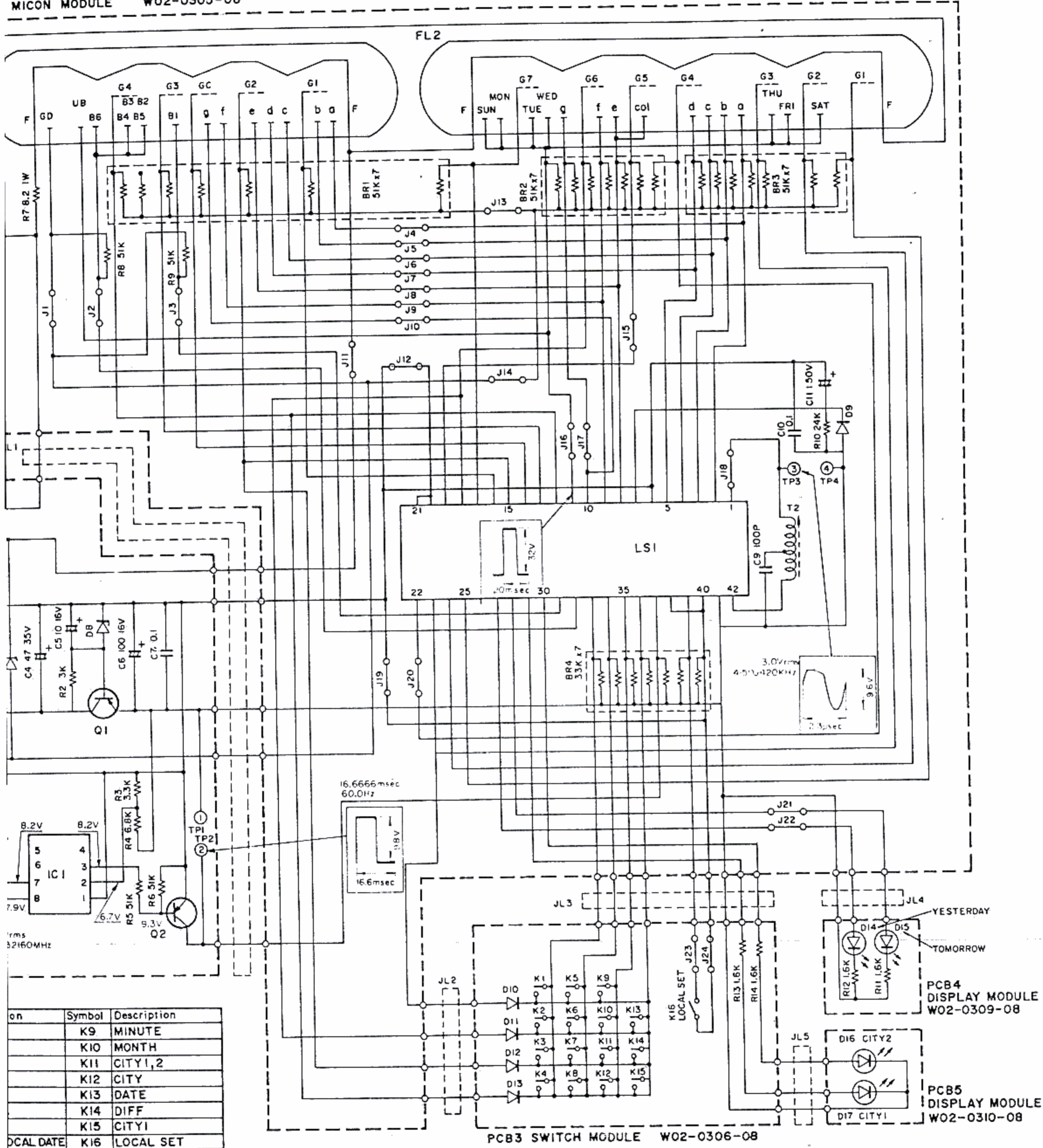
Frequency ... 50Hz, 60Hz common use

Power Consumption ... 5W

Time Accuracy ... ± 15 seconds max. per month (room temp. 25°C)

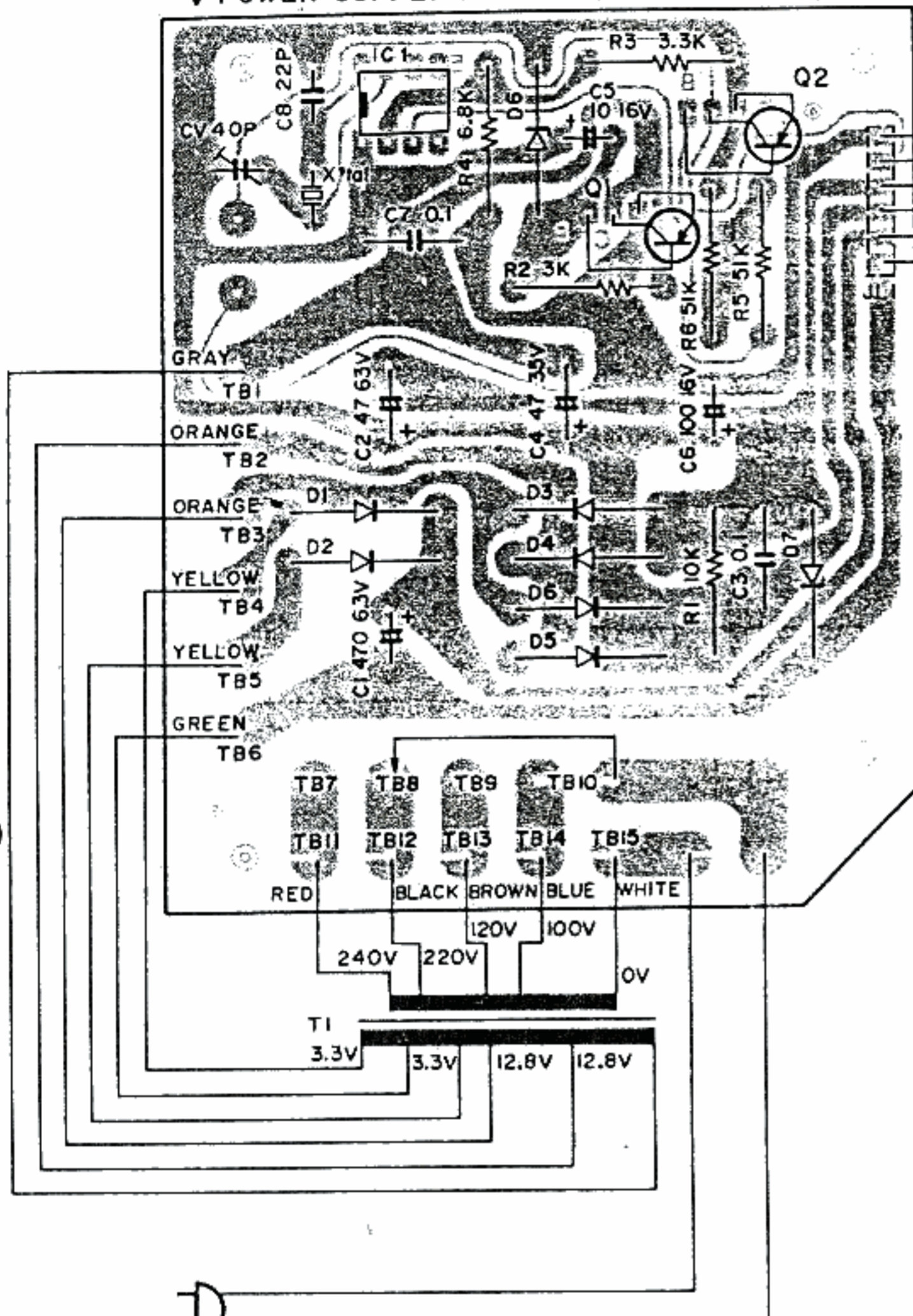
Dimensions ... 216 wide (8-1/2")
× 97 high (3-13/16")
× 118 deep (4-5/8")

Weight ... 1kg



SCHEMATHEEK
 Beh. T. Hultermans
 Postbus 4228
 5604 EE Eindhoven

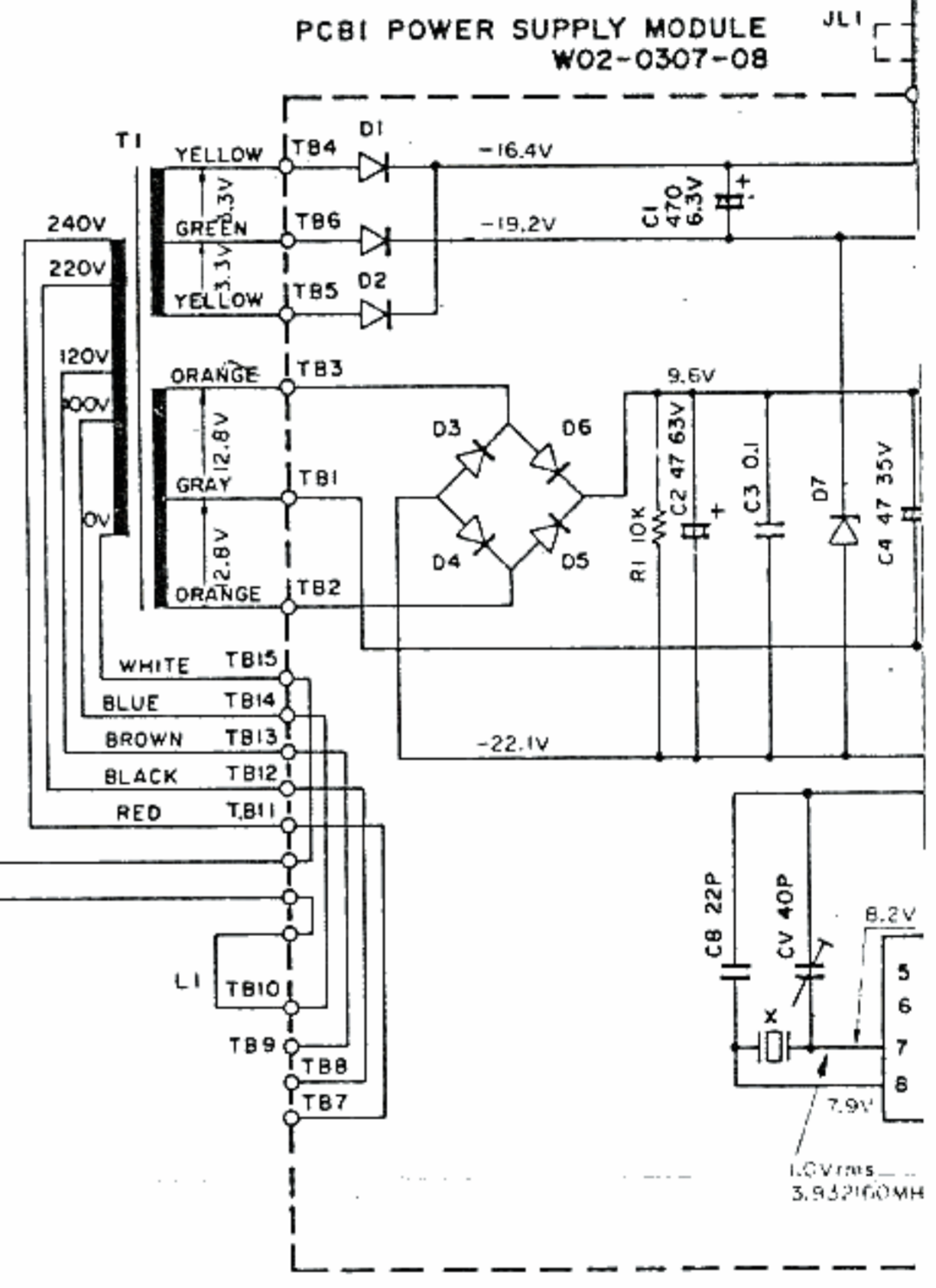
(COMPONENT SIDE VIEW)
▼ POWER SUPPLY MODULE (W02-0307-08)



D1-D6,9	S5277D	LS1	μPD553C 032
D10-D13	ISS54	IC1	SM5501A
D7	RD3.9EB	FL1	4-MT-03
D8	RD11EB	FL2	6-LT-43
D14,D15	SLP-131B	Q1	2SA634
D16,D17	SLP-141B	Q2	2SA733

AC 50/60Hz

AC 50/60Hz



4-MT-03

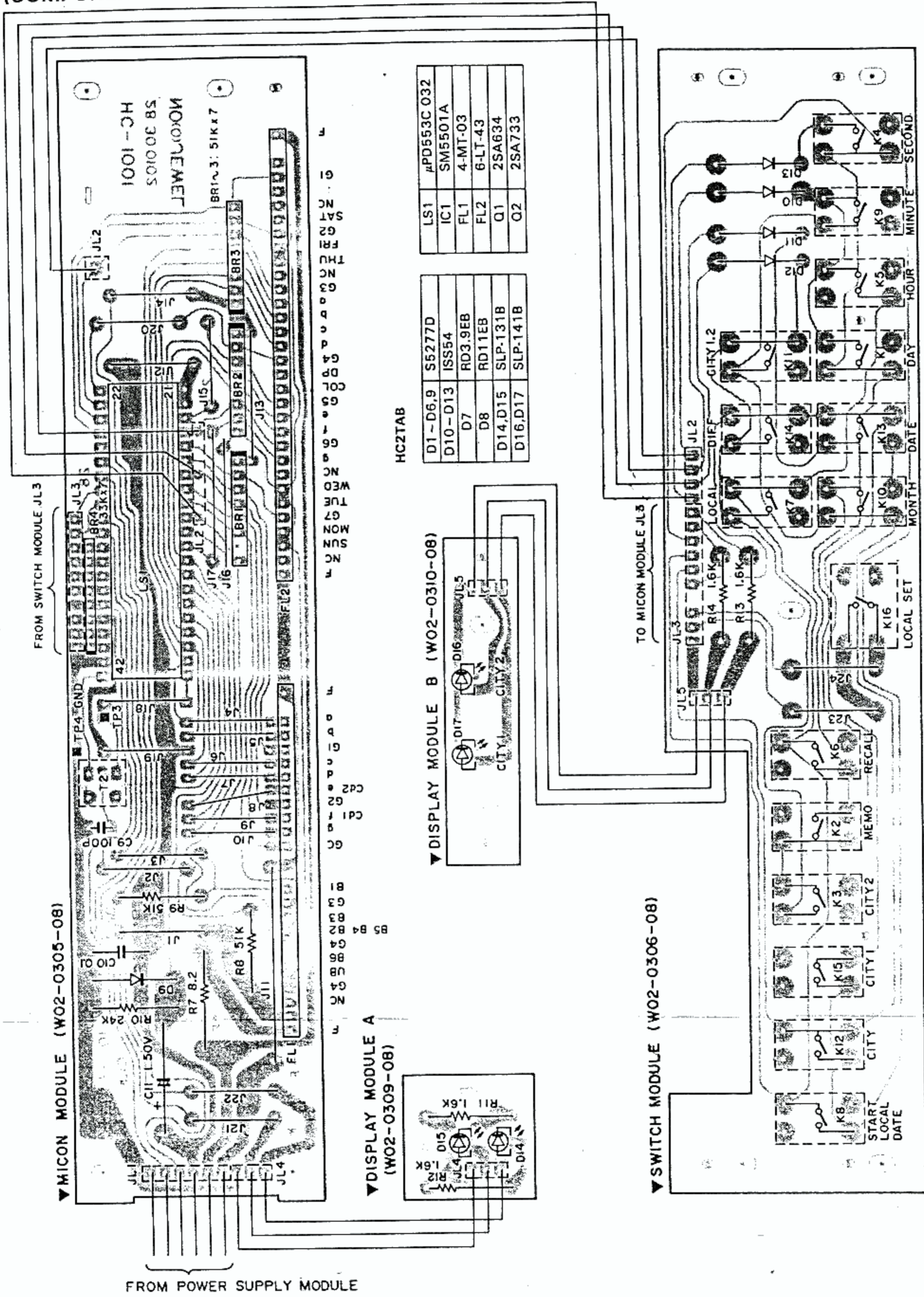
Pins No.	1	2	3	4	5	6	7	8	9	10	11	12	13	14	15	16	17	18	19	20	21	22	23	24	25
Electrodes	F	GD	NC	G4	UB	B6	G4	B2	B3	G3	B1	NP	NP	Gc	g	f	G2	e	d	c	G1	b	a	NP	F
							B4									cd1		cd2							
							B5																		

6-LT-43

Pins No.	1	2	3	4	5	6	7	8	9	10	11	12	13	14	15	16
Electrodes	F	Nc	SUN	MON	G7	TUE	WED	Nc	g	G6	f	e	G5	col	Dp	G4
Pins No.	17	18	19	20	21	22	23	24	25	26	27	28	29	30	31	32
Electrodes	d	c	b	a	G3	Nc	THU	FRI	G2	SAT	Nc	o	G1	Np	F	

Symbol	Description
K1	DAY
K2	MEMO
K3	CITY2
K4	SECOND
K5	HOUR
K6	RECALL
K7	LOCAL
K8	START/LOCAL DV

(COMPONENT SIDE VIEW)

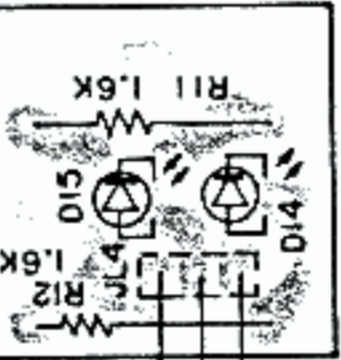


▼ MICON MODULE (W02-0305-08)

FROM SWITCH MODULE JL3

FROM POWER SUPPLY MODULE

▼ DISPLAY MODULE A (W02-0309-08)



HC2TAB

▼ DISPLAY MODULE B (W02-0310-08)



▼ SWITCH MODULE (W02-0306-08)

TO MICON MODULE JL3

LS1	μPD553C 032
IC1	SM5501A
FL1	4-MT-03
FL2	6-LT-43
Q1	2SA634
Q2	2SA733

D1-D6,9	S5277D
D10-D13	ISS54
D7	RD3.9EB
D8	RD11EB
D14,D15	SLP-131B
D16,D17	SLP-141B

NOXONEMET
S010 00105
HC-1001

START LOCAL DATE
CITY
CITY2
MEMO RECALL
CITY1
CITY
K8
K12
K15
K3
CITY2
K2
K6
K10
K13
K14
K16
LOCAL SET
LOCAL DIFF
GIRY 1.2
D1
D2
D3
D4
D5
D6
D7
D8
D9
D10
D11
D12
D13
D14
D15
D16
D17
D18
D19
D20
D21
D22
D23
D24
D25
D26
D27
D28
D29
D30
D31
D32
D33
D34
D35
D36
D37
D38
D39
D40
D41
D42
D43
D44
D45
D46
D47
D48
D49
D50
D51
D52
D53
D54
D55
D56
D57
D58
D59
D60
D61
D62
D63
D64
D65
D66
D67
D68
D69
D70
D71
D72
D73
D74
D75
D76
D77
D78
D79
D80
D81
D82
D83
D84
D85
D86
D87
D88
D89
D90
D91
D92
D93
D94
D95
D96
D97
D98
D99
D100